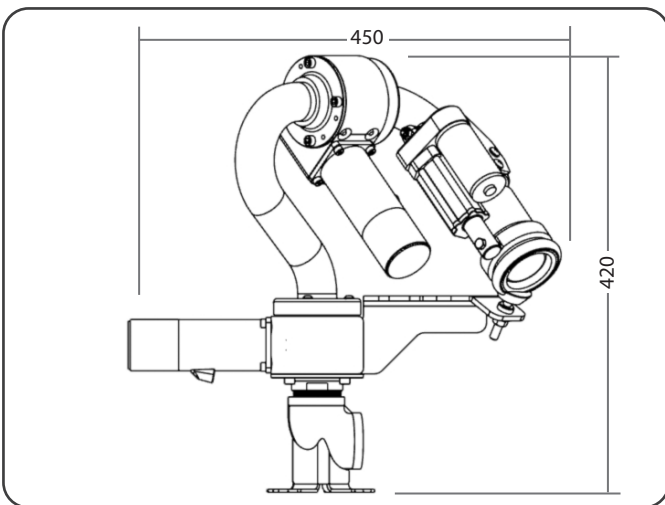
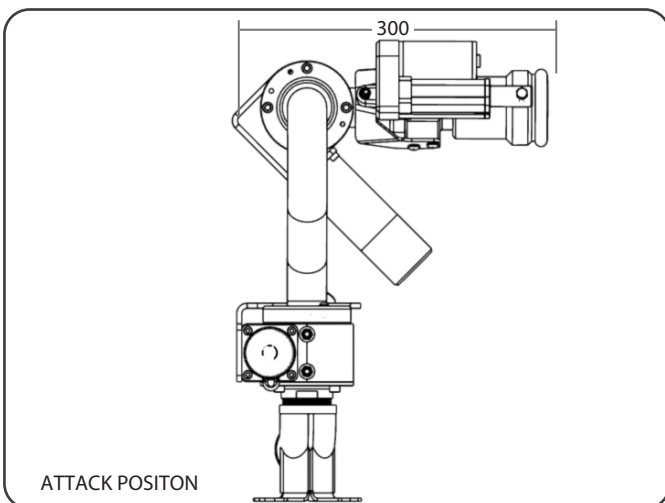


38mm Remote Monitor

The Fraser 38mm Remote Monitor is purpose designed for mounting to truck bumpers and other constrained spaces. It has a narrow depth in 'park position' to allow it to be protected by surrounding bullbars without major modification.



- Inlet fitting 1½" BSP Female
- Nozzle 38mm Spray/Jet
- Nozzle flow 250 LPM @ 1000kPa
- Movement range (Front Bumper mounting)
(Adjustable)
 - Horizontal axis 100°
 - Vertical axis 80°
- Movement range (Free mounted)
 - Horizontal axis 180°
 - Vertical axis 180°



- Power 24V 200W
- Max pressure 2000kPa